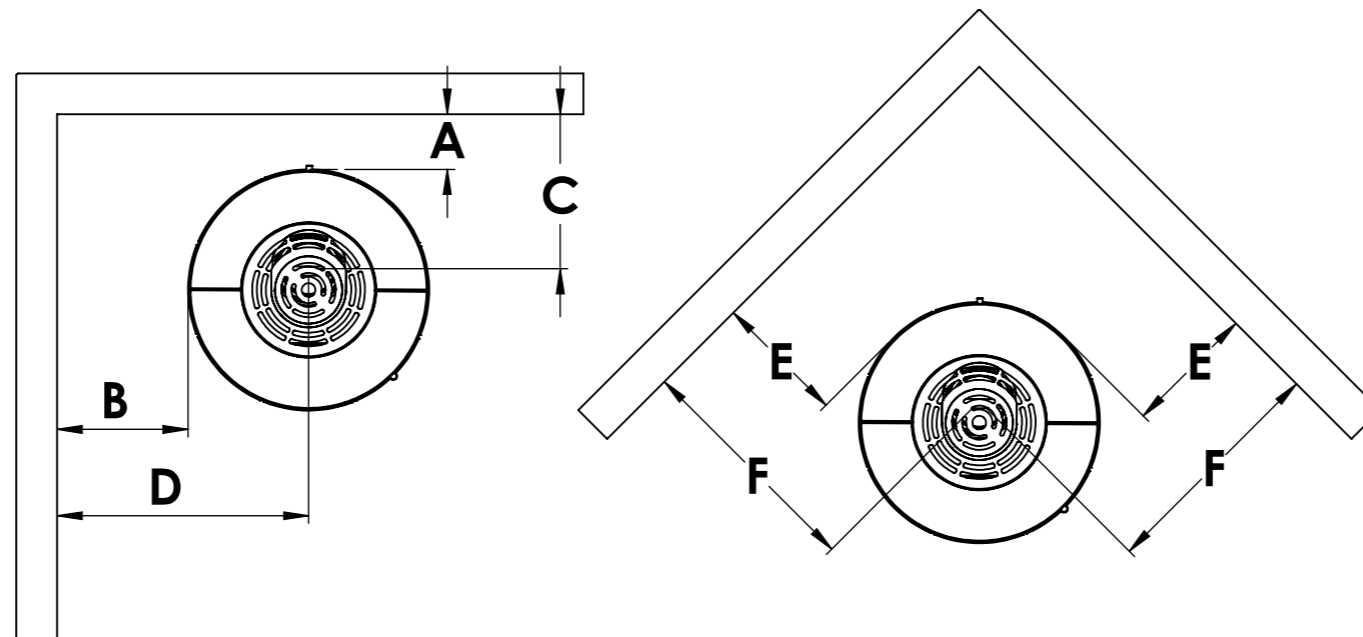
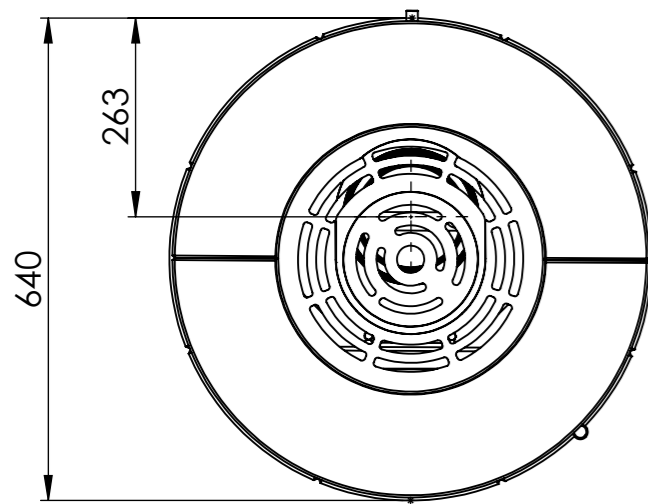
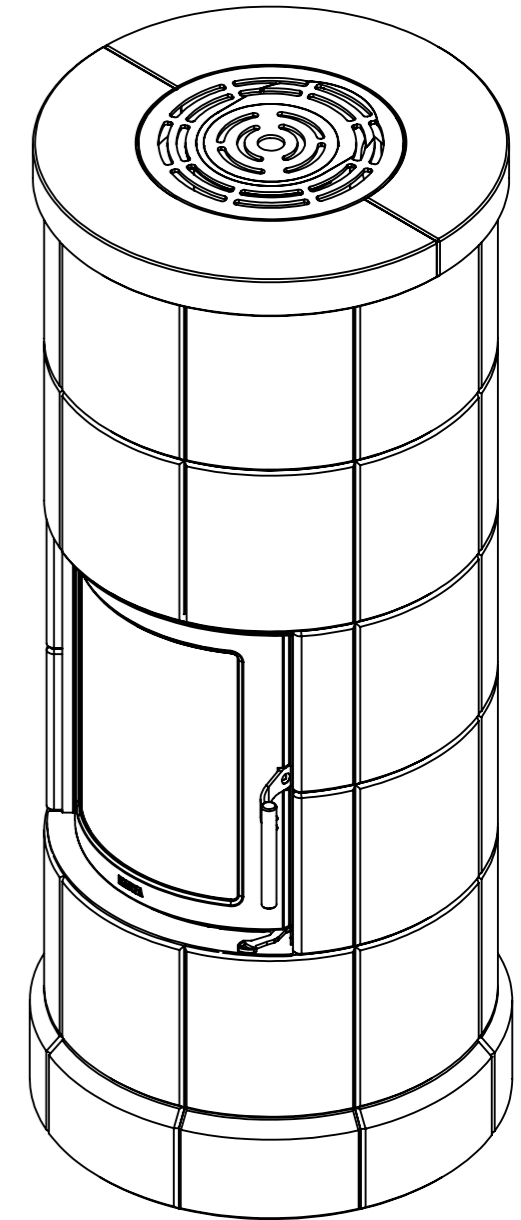
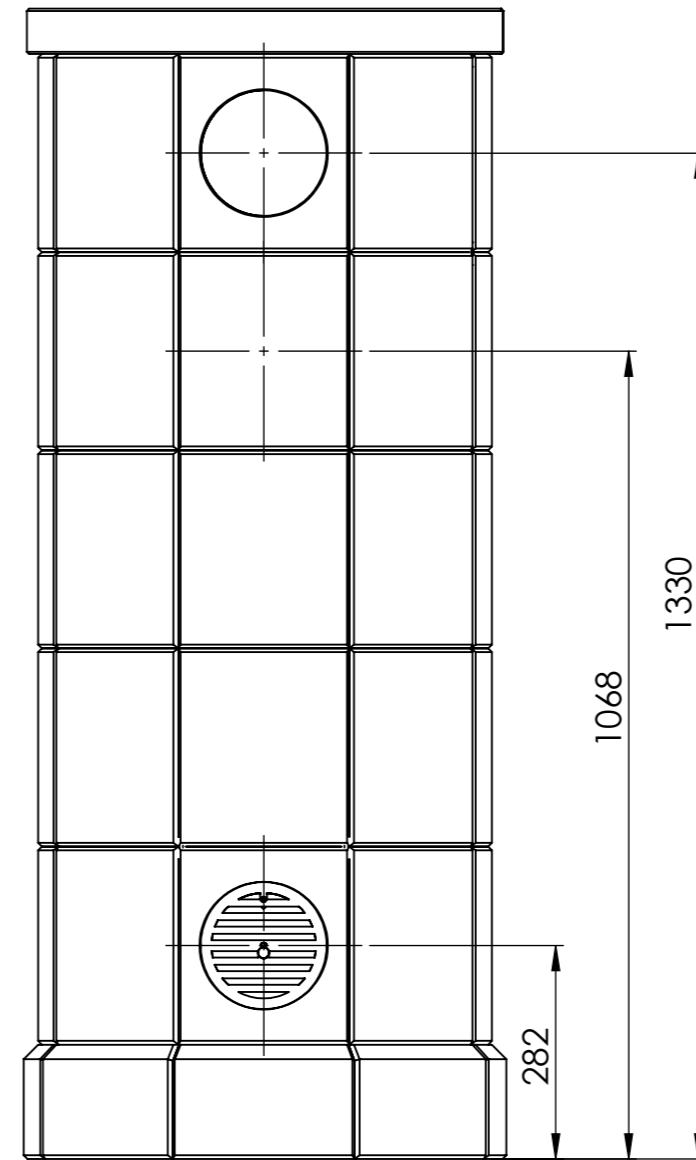
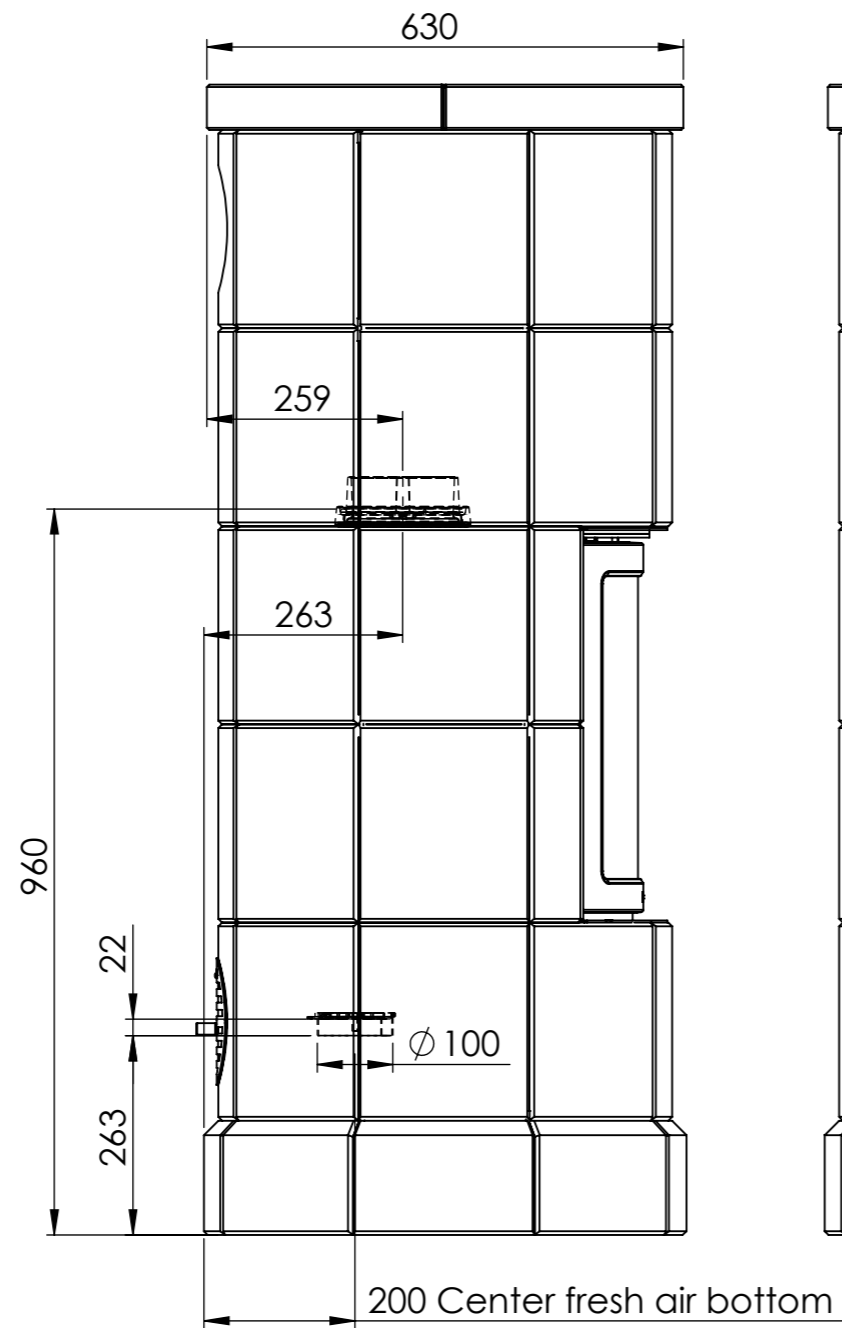
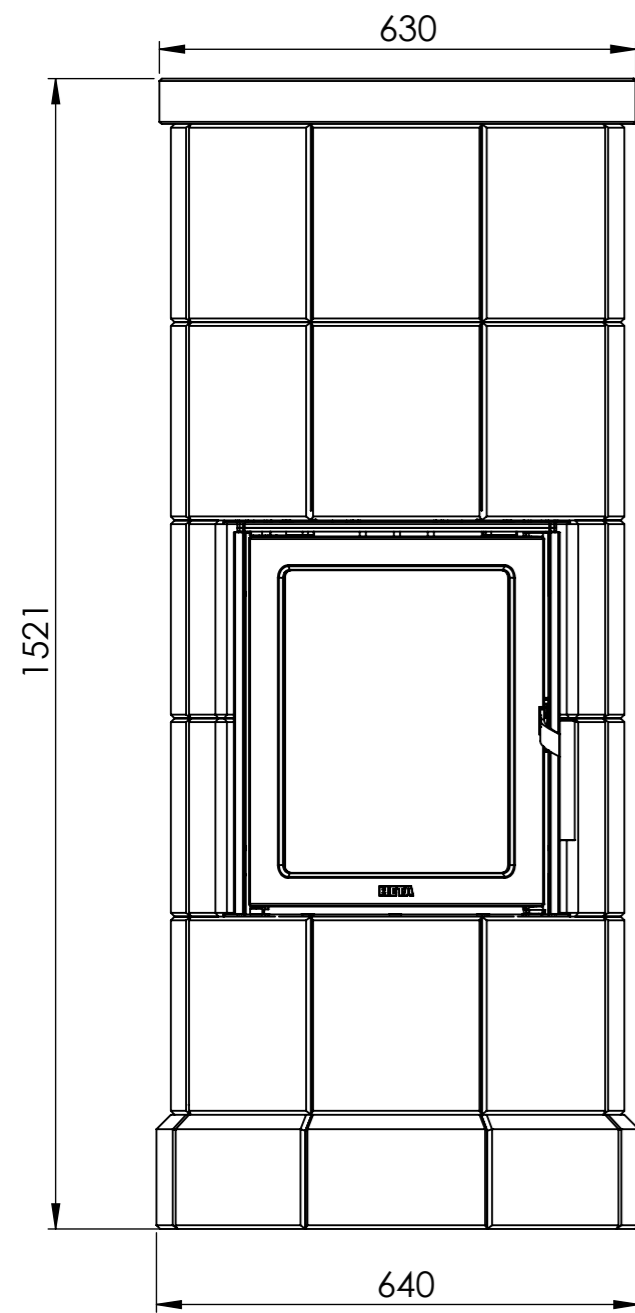




Serie	Scan-Line 10-20-20B-30-30B
Description	Scan-Line 20



	Distance according to EN 16510
<b>A</b> (dR)	150
<b>B</b> (dS)	350
<b>C</b>	413
<b>D</b>	669
<b>E</b> (dS!)	350
<b>F</b>	629