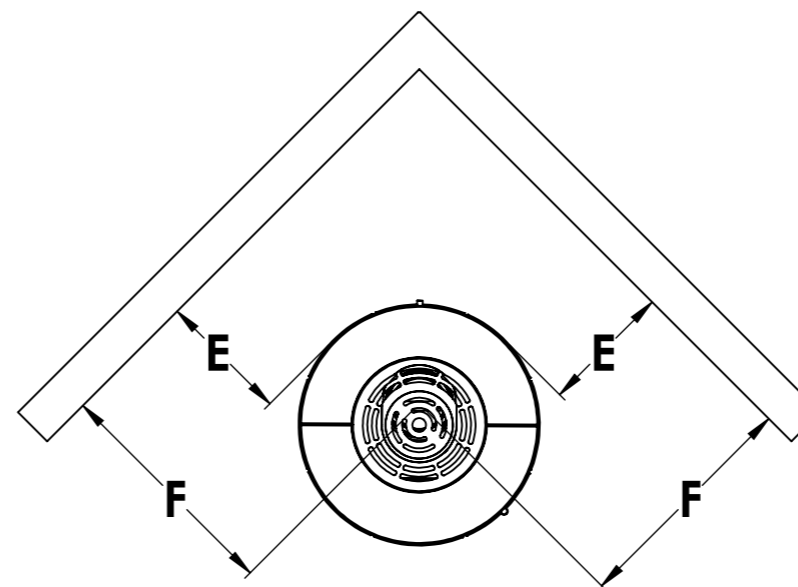
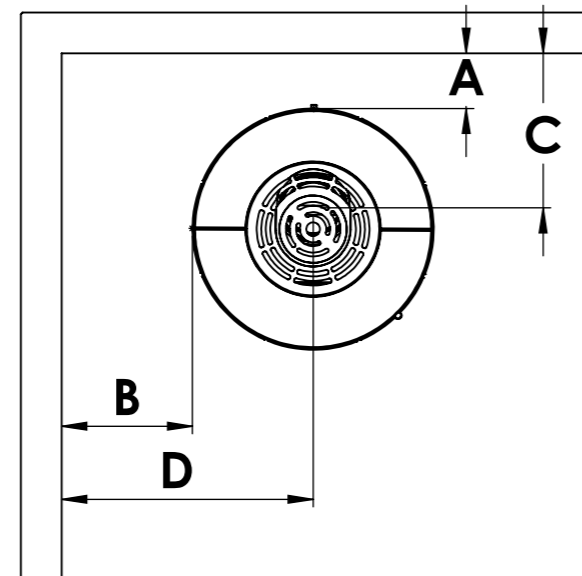
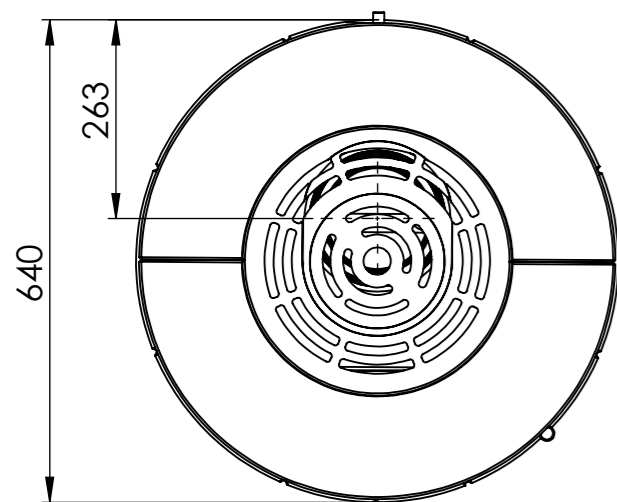
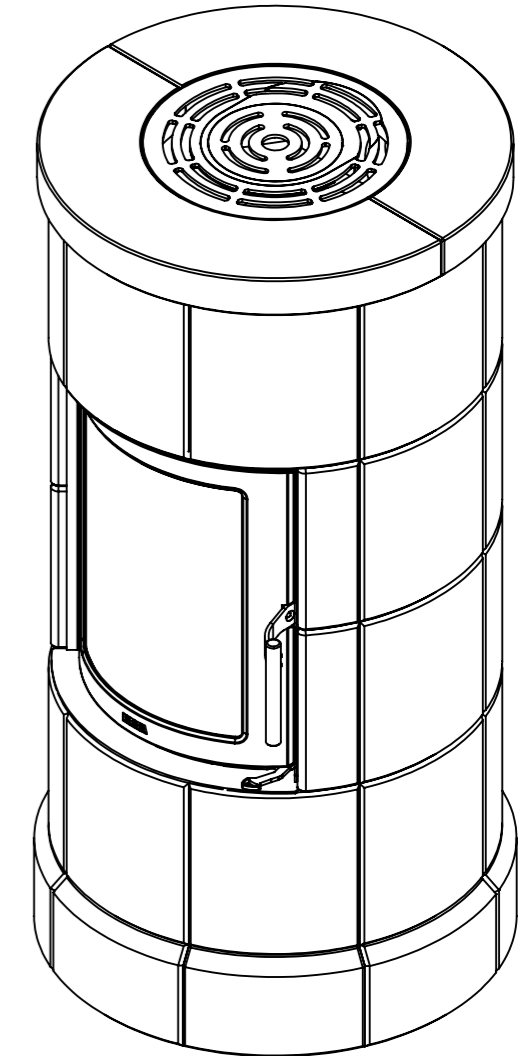
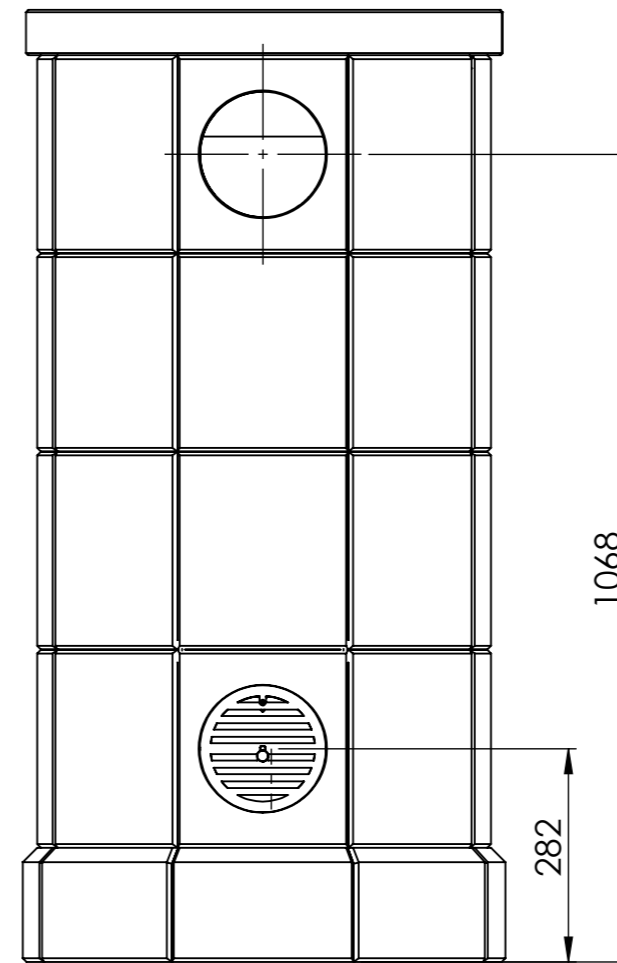
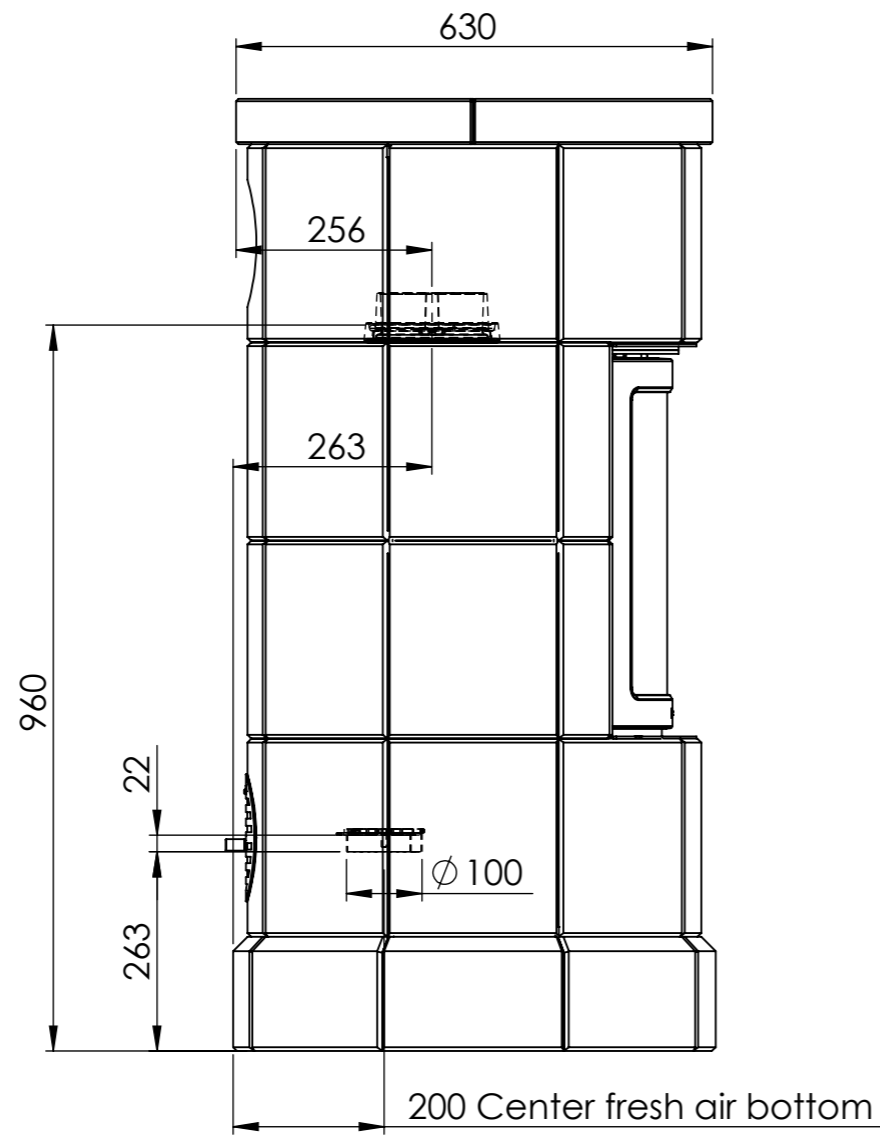
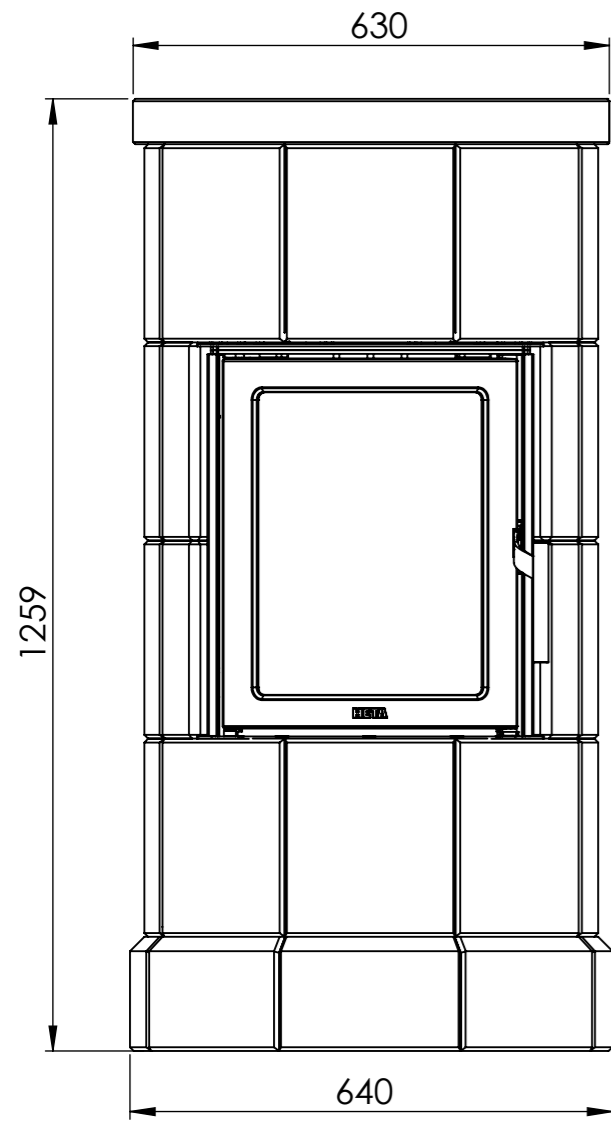




|             |                            |
|-------------|----------------------------|
| Serie       | Scan-Line 10-20-20B-30-30B |
| Description | Scan-Line 10               |



|                | Distance according to EN 16510 |
|----------------|--------------------------------|
| <b>A</b> (dR)  | 150                            |
| <b>B</b> (dS)  | 350                            |
| <b>C</b>       | 413                            |
| <b>D</b>       | 669                            |
| <b>E</b> (dS!) | 350                            |
| <b>F</b>       | 629                            |